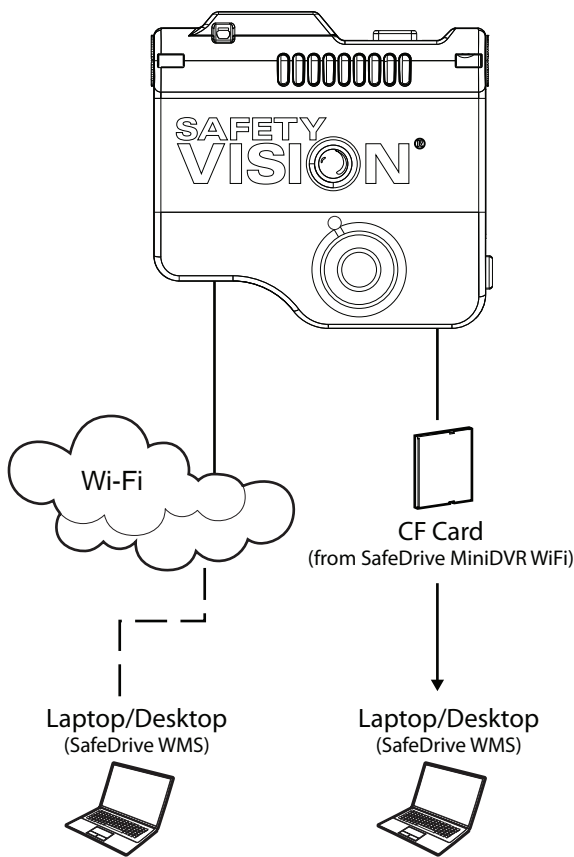


SAFEDRIVE MINIDVR WIFI

DUAL CAMERA EVENT RECORDER FOR DRIVER BEHAVIOR MANAGEMENT



SafeDrive MiniDVR with built-in GPS, accelerometer and Wi-Fi is a dual camera event recorder optimized for fleet driver behavior management programs. Front and rear facing cameras are recorded with synchronized audio and metadata in a compact easy to install, easy to operate package. Recordings are triggered by user configurable accelerometer settings, panic buttons or external sensors and can be easily reviewed from the removable, solid state CF card or automated via the wireless management system.



Complete Freedom

Fleet managers have complete control and freedom to deploy SafeDrive MiniDVR systems as they see fit. There are no cellular contracts, recurring managed service costs or maintenance contracts as with competitive offerings. The accompanying Wireless Management Software (WMS) provides automation of event downloads ensuring a completely self managed solution with no hidden costs.

Easy Installation & Operation

The SafeDrive MiniDVR with Wi-Fi installs easily mounts directly on the windshield. The compact and rugged construction provides unobstructed views for the driver and requires no modification of the dashboard or console, making it easy to deploy on any vehicle in the fleet.

Reliable Recording, Flexible Automation

Recording is done on a solid state, removable CF card located securely behind the lockable door. In addition to forward and cabin facing cameras, the system records synchronized audio, GPS, accelerometer and metadata from 4 sensors. An auxiliary output can be configured to be activated from any sensor and an optional third camera can be added for rear view monitoring when the vehicle is in reverse.

Features

- Recording is triggered in the event of a crash, while speeding, by erratic driving, or manually
- Entire system is integrated into one rugged housing
- Multicolor LEDs provide visual device status inside or outside the vehicle
- Rear-facing cabin camera features three infrared illuminators for low light recording

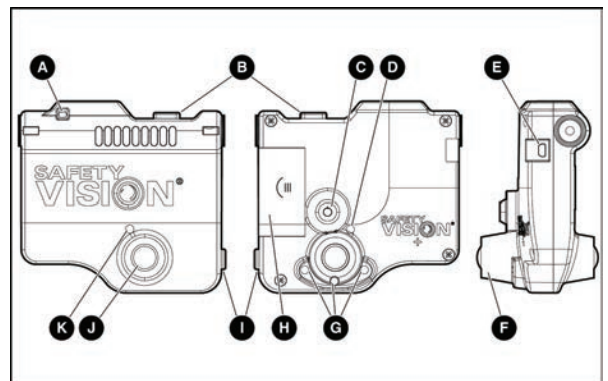
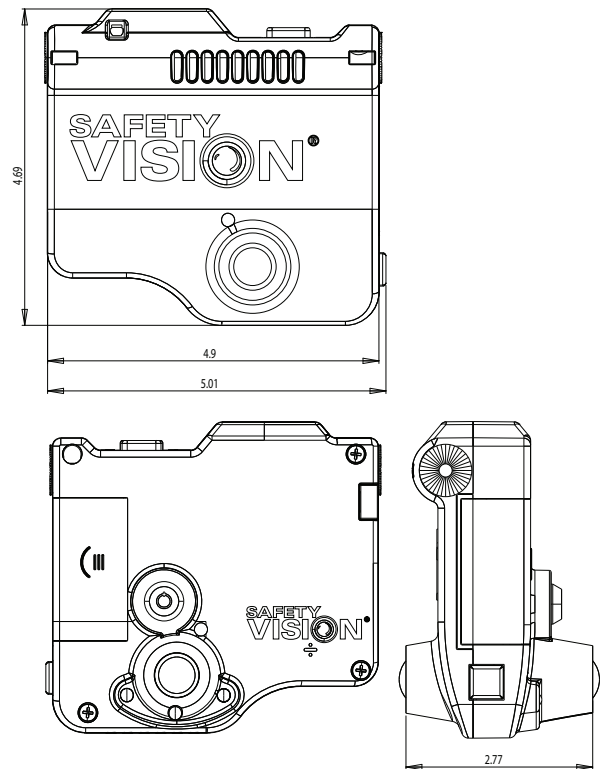
SAFEDRIVE MINIDVR WIFI

DUAL CAMERA EVENT RECORDER FOR DRIVER BEHAVIOR MANAGEMENT

SPECIFICATIONS

SafeDrive MiniDVR™

Video Signal	Color composite NTSC
Archive Media	CompactFlash™
Image Sensor	1/4-inch color CMOS (x2)
Resolution	380 TV lines
Lens	3.6 mm (front)/2.5 mm (rear)
Light Sensitivity	1 lux (forward-facing)/0 lux (rear-facing)
Scanning System	2:1 interlace
Power Input	+12VDC or +24VDC
Power Consumption	~4 watts (330mA@12V) to ~5.5 watts (230mA@24V)
Internal Battery	7.2V 120mAh NiMH
Storage Memory	CompactFlash
External Camera Power	+12VDC, up to 150mA output
Connection Hardware	DB-15HD cable (male)
Panic Input (1)	Floating: Inactive Ground or 12/24 VDC: Active
Auxiliary Output (1)	Configurable as N.O. or N.C.
Auxiliary Inputs (4)	12V-24V: Active GND: Inactive
Dimensions (w x h x d)	5.0" x 4.5" x 1.5" (114mm x 127mm x 38mm)
Weight	0.6 lbs. (.27 kg)



- A External GPS antenna jack
- B Cable connector
- C Door Lock
- D Status Indicator
- E USB Port
- F Cabin camera
- G IR LED's
- H CF Card Bay Door
- I Event Button
- J Forward Camera
- K Status Indicator

4 GB STORAGE MATRIX

Cameras	Quality	FPS	Audio	Prerecord	Post Record	Max Events
2	High	15	Yes	5	5	296
2	High	7.5	Yes	5	5	593
2	High	5	Yes	5	5	889
2	High	15	Yes	10	10	148
2	High	7.5	Yes	10	10	296
2	High	5	Yes	10	10	444
2	High	7.5	Yes	15	15	198
2	High	7.5	Yes	20	20	148
2	High	5	Yes	15	15	296
2	High	5	Yes	20	20	222
2	High	5	Yes	25	25	178
2	High	5	Yes	30	30	148

OPTIONAL ACCESSORIES

- SafeDrive WMS software
- External GPS antenna
- Additional CompactFlash cards (one included)

Warranty Agreement

Safety Vision's standard warranty for new items is one year. Extended warranties and advance replacement agreements also are available. Ask your sales or customer service representative for details.