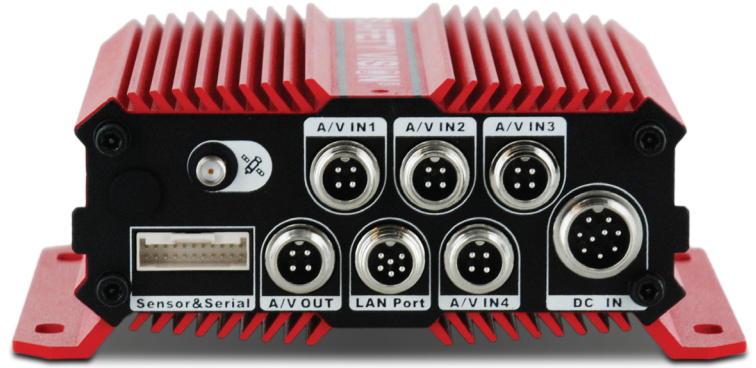


OBSERVER™ 4000 HVR

5-CHANNEL HYBRID VIDEO RECORDER



Equipped with HD video recording, Safety Vision's Observer 4000 HVR delivers crystal clear accuracy for quality that matters. Recommended for solutions up to 5 cameras, the Observer 4000 HVR is our most economical system, offering a cost-effective approach to high definition recording. Custom triggered sensors mark video and record vehicle data, while passive GPS tracking records vehicle route history synchronized with video. The Observer 4000 HVR is built tough for extreme durability on the road, giving you the ultimate in budget flexibility with the system reliability you deserve.

OS SUPPORT

Linux 3.0.8

CAMERA CHANNELS

4 channels (HD or Std Res) + 1 IP

VIDEO / AUDIO OUTPUT

1 channel

QUALITY SETTINGS

Adjustable 8 levels

RECORDING RESOLUTION

NTSC: 4 × 720p @ 15fps + 1 × IP 1080p @ 30 fps

or

4 × D1 @ 30fps + 1 × IP 1080p @ 30 fps

PAL: 4 × 720p @ 15fps + 1 × IP 1080p @ 30 fps

or

4 × D1 @ 30fps + 1 × IP 1080p @ 30 fps

STORAGE

2 × SD card (256 GB each, 512 GB total)

Mirror Recording: 1 × SD card up to
256 GB max (optional)

RECORDING MODES

Continuous / scheduled / alarm

PRE-EVENT RECORDING

Configurable up to 60 minutes

POST-EVENT RECORDING

Configurable up to 30 minutes

ETHERNET

6-pin M12 (1 × 10/100M)

WI-FI

External radio required

GPS (BUILT-IN)

Antenna required
(date / time, speed, mapping data)

ACCELEROMETER

6-Axis (external)

INTERFACES

Front: 1 × USB 2.0 (type A)

Back: 2 × RS232, 2 × RS485

SENSORS

8 inputs, 2 outputs

POWER INPUT

8 ~ 36V DC, ACC

OPERATING TEMPERATURE

-40° F ~ 158° F (-40° C ~ 70° C)

DIMENSIONS (W × H × D)

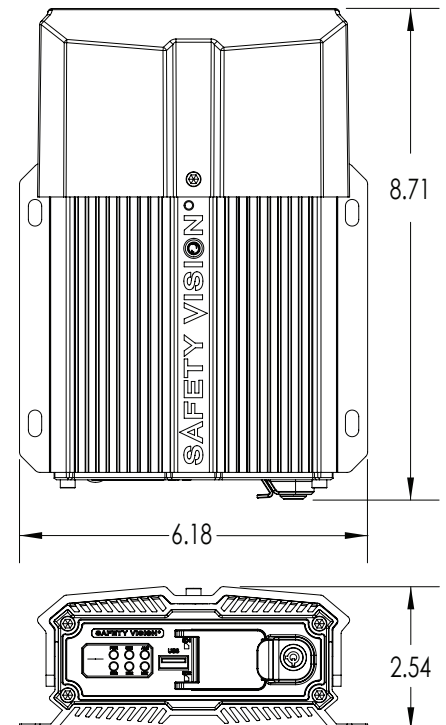
6.18 × 2.51 × 8.76 in (157 × 63.7 × 222.5 mm)

CERTIFICATIONS

MIL-STD-810, FCC, CE, EN50155, EN60068,
IEC60068

PART NUMBER

4000-HVR



6100 W. Sam Houston Pkwy. N.
Houston, TX 77041

**SAFETY
VISION®**

800.880.8855
www.safetyvision.com