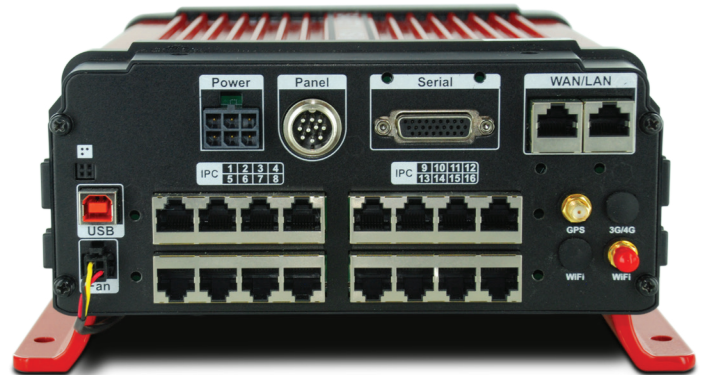


# OBSERVER™ 4116 NVR

## 16-CHANNEL NETWORK VIDEO RECORDER



The Observer 4116 Network Video Recorder is a completely IP-based solution, offering up to 16 channels of 1080p high definition recording, and dual hard drives for double the storage space. With 9 times greater resolution compared to standard surveillance systems, the Observer 4116 NVR delivers the ultimate in image quality and superior digital zoom capabilities.

### OS SUPPORT

Linux 3.0.8

### CAMERA CHANNELS

16 IP channels

### VIDEO / AUDIO OUTPUT

1 channel

### QUALITY SETTINGS

Adjustable 8 levels

### RECORDING RESOLUTION

NTSC: 1080p @ 30 fps, 720p @ 30 fps

PAL: 1080p @ 30 fps, 720p @ 30 fps

### STORAGE

2 × SATA II SSD (2 TB max each, 4 TB total)

or

2 × SATA II HDD (2 TB max each, 4 TB total)

**Mirror Recording:** 1 × SD card up to 256 GB max (optional)

### RECORDING MODES

Continuous / scheduled / alarm

### PRE-EVENT RECORDING

Configurable up to 60 minutes

### POST-EVENT RECORDING

Configurable up to 30 minutes

### ETHERNET

2 × RJ45 (10/100 M and 1000M)

### WI-FI (ANTENNA REQUIRED)

Embedded module (802.11b/g/n)

### GPS (BUILT-IN)

Antenna required  
(date / time, vehicle speed, mapping data)

### ACCELEROMETER

3-Axis (built-in)

### INTERFACES

**Front:** 1 × USB 3.0 (type A), 1 × eSATA

**Rear:** 1 × USB 2.0 (type B), 2 × RS232,  
2 × RS485

### SENSORS

8 inputs, 2 outputs

### POWER INPUT

8 ~ 36V DC, ACC

### OPERATING TEMPERATURE

-14° F ~ 158° F (-10°C ~ 70°C)

-40° F ~ 158° F (-40°C ~ 70°C) (with heating module)

### DIMENSIONS (W × H × D)

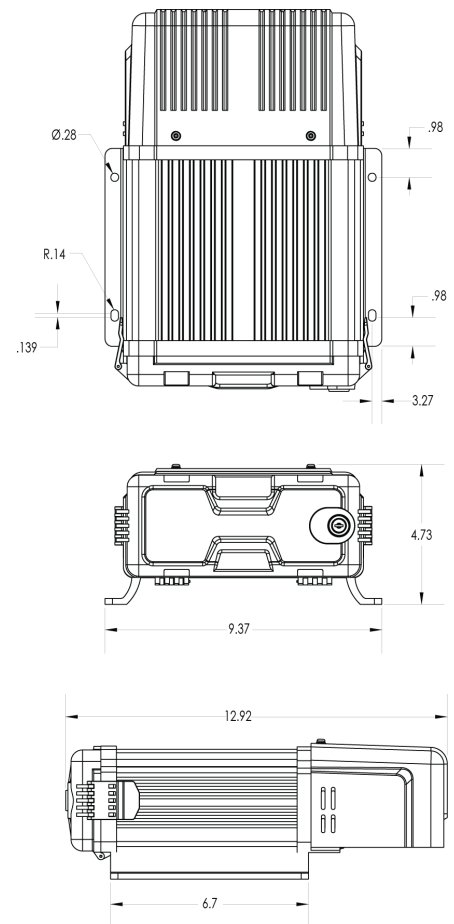
9.4 in × 4.5 in × 12.8 in  
(238 mm × 115.5 mm × 324.6 mm)

### CERTIFICATIONS

MIL-STD-810, IEC 60068, FCC, CE, EN50155  
EMC, ISO7673

### PART NUMBER

4116-NVR



6100 W. Sam Houston Pkwy. N.  
Houston, TX 77041

**SAFETY  
VISION®**

800.880.8855  
www.safetyvision.com