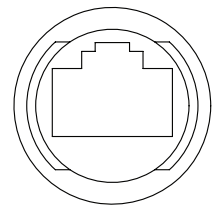
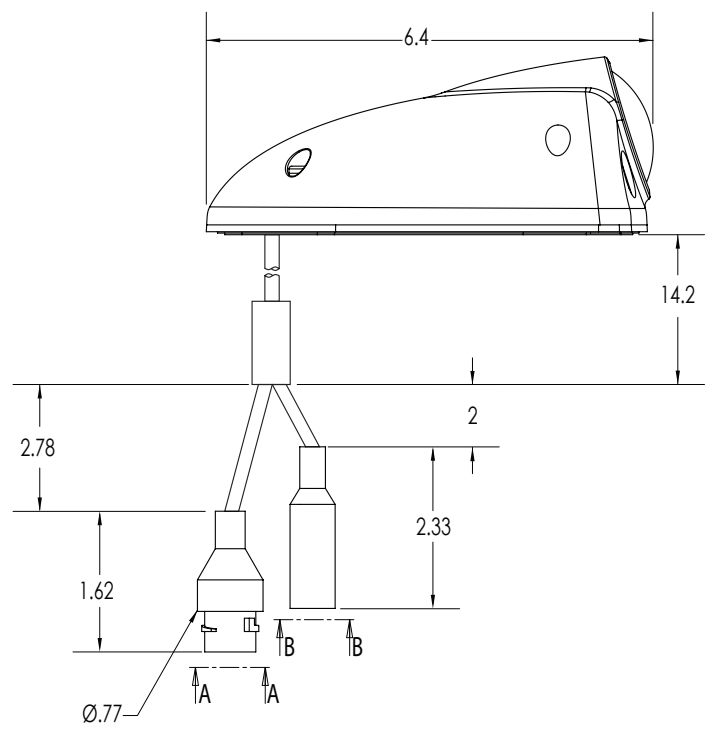


5 4 3 2 1

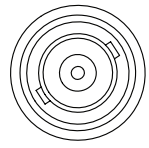
C

B

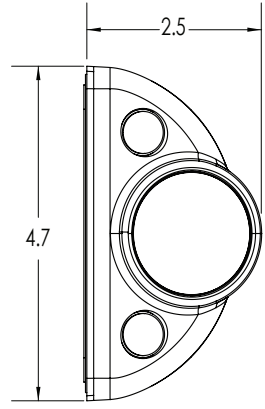
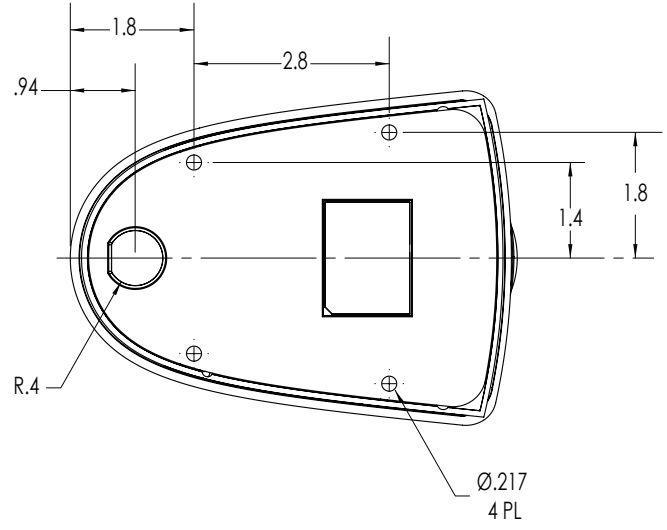
A



SECTION A-A
PIN FACING
RJ45 - FEMALE



SECTION B-B
PIN FACING
BNC - FEMALE



MOUNTING NOTES:

1. RUBBER BASE WILL SEAL MOUNTING SCREW HOLES AND CABLE ENTRY HOLES WHEN SCREWS ARE PROPERLY TIGHTENED ELIMINATING THE NEED TO USE SILICONE ON THE BASE AND AROUND PERIMETER.

PROPRIETARY AND CONFIDENTIAL
THE INFORMATION CONTAINED IN THIS DRAWING IS THE SOLE PROPERTY OF SAFETY VISION. ANY REPRODUCTION IN PART OR AS A WHOLE WITHOUT THE WRITTEN PERMISSION OF SAFETY VISION IS PROHIBITED.

UNLESS OTHERWISE SPECIFIED:		NAME	DATE
DIMENSIONS ARE IN INCHES		JG	6/17/19
TOLERANCES:		CHECKED	
.X ±.1		ENG APPR.	
.XX ±.02		MFG APPR.	
.XXX ±.010		Q.A.	
HOLE DIA'S ±.004			
INTERPRET GEOMETRIC TOLERANCING PER:			
MATERIAL XXX			
FINISH XXX			
DO NOT SCALE			

SAFETY VISION[®]

TITLE: 44 SERIES IP CAMERA			
SIZE A	PART NO. 44-xxIR-IP	REV A	
SCALE: NTS	WEIGHT: .9kg	SHEET 1 OF 1	

5 4 3 2 1