

500A & 620A COLLISION AVOIDANCE CAMERAS



500A
(Black and White)



620A
(Color)

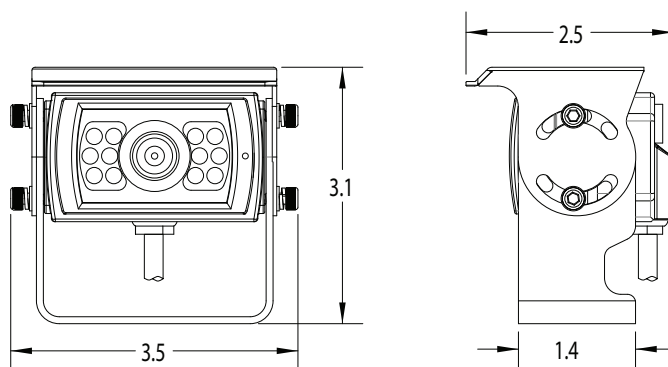
These collision avoidance cameras are available in black and white or color and their infrared illuminators (IRs) activate automatically, providing you with optimal visibility in all lighting conditions.

SPECIFICATIONS

Part No.	SV-500A-KIT	SV-620A-KIT
Image Sensor	1/3 inch CCD	
Type	Black and White	Color
Signal Format	NTSC (PAL optional)	
Resolution	537(h) × 505(v)	811(h) × 508(v)
Horizontal TV Lines	380 TV Lines	480 TV Lines
Field of View	130°	
Mirror Image	Yes	
Infrared Illuminators	11	
Minimum Illumination	0 Lux	
Audio	Yes; integrated microphone	
Vibration	10G	
IP Rating	N/A	
Power Requirement	12V DC	
Operating Temperature	-40°F ~ 185°F (-40°C ~ 85°C)	
Storage Temperature	-40°F ~ 185°F (-40°C ~ 85°C)	
Dimensions (w × h × d)	3.5 in × 3.1 in × 2.5 in (88.9 mm × 78.7 mm × 63.5 mm)	

Features

- Eleven advanced infrared illuminators with automatic sensor produces brighter images in low-light conditions
- Integrated microphone so people near the vehicle can communicate directly with you
- Wide field of view captures a range of activity



Please discuss our installation, training, extended warranty, spare-in-the-air, and onsite service options with your mobile video solutions specialist!