

625B COLLISION AVOIDANCE CAMERA



This color collision avoidance camera uses infrared illuminators (IRs) that activate automatically, providing you with optimal visibility in all lighting conditions. Pair with a rear vision monitor to create a collision avoidance system to augment driver visibility and enhance overall safety.

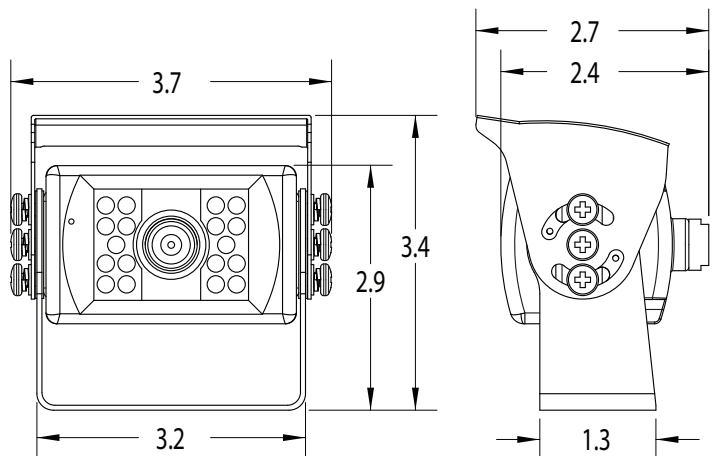
SPECIFICATIONS

Part No. SV-625B-KIT

Image Sensor	1/4 inch color CCD
Signal Format	NTSC
Resolution	510(h) × 492(v)
Horizontal TV Lines	420 TV Lines
Field of View	110°
Mirror Image	Yes
Infrared Illuminators	18
Minimum Illumination	0 Lux (IRs on), 1 Lux (IRs off)
Audio	Yes; integrated microphone
Vibration	8G
IP Rating	IP68
Power Requirement	12V/24V DC
Operating Temperature	-40°F ~ 185°F (-40°C ~ 85°C)
Storage Temperature	-40°F ~ 176°F (-40°C ~ 80°C)
Dimensions (w × h × d)	3.7 in × 3.4 in × 2.7 in (94 mm × 86.4 mm × 68.6 mm)

Features

- IP68 rating ensures protection from dust and liquid
- Day/night sensor automatically activates 18 IR illuminators
- Integrated microphone so people near the vehicle can communicate directly with you



Please discuss our installation, training, extended warranty, spare-in-the-air, and onsite service options with your mobile video solutions specialist!