

690H COLLISION AVOIDANCE CAMERA



The 690H camera sets a new standard in imaging and ruggedness for on-board camera systems. The 690H utilizes the latest SuperHADII sensor to provide sharp, clear images while minimizing smear and blooming artifacts. The ultra wide angle 150° field of view combined with built-in IR illumination ensures maximum coverage even in complete darkness. And with an environmental rating of IP69K and a heater that automatically turns on in temperatures under 50°F, the 690H is built to withstand the harshest environmental conditions for years of reliable and dependable service.

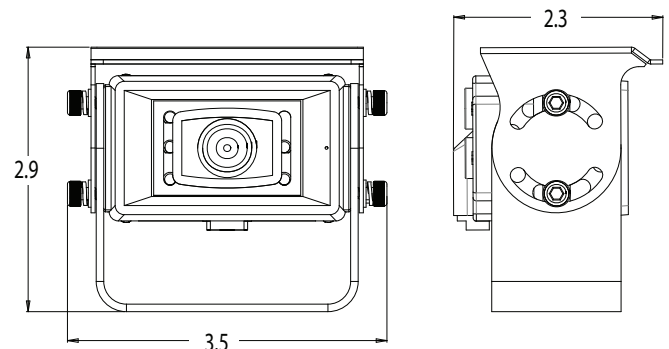
SPECIFICATIONS

Part No. SV-690H-KIT

Image Sensor	1/3 inch color CCD
Signal Format	NTSC (PAL optional)
Resolution	811(h) × 508(v)
Horizontal TV Lines	480 TV Lines
Field of View	150°
Mirror Image	Yes
Infrared Illuminators	5
Minimum Illumination	0 Lux
Audio	Yes; integrated microphone
Vibration	10G
IP Rating	IP69K
Power Requirement	12V DC
Operating Temperature	-40°F ~ 185°F (-40°C ~ 85°C)
Storage Temperature	-40°F ~ 185°F (-40°C ~ 85°C)
Dimensions (w × h × d)	3.5 in × 2.9 in × 2.3 in (88.9 mm × 73.7 mm × 58.4 mm)

Features

- Automatic heater (below 50°F)
- Wide field of view captures a range of activity
- Integrated microphone so people near the vehicle can communicate directly with you
- IP69K rating ensures protection from dust and liquid
- Automatic sensors allow for optimum image quality in low light conditions



Please discuss our installation, training, extended warranty, spare-in-the-air, and onsite service options with your mobile video solutions specialist!