

ROADRECORDER® 8000

NETWORK VIDEO RECORDER



The RoadRecorder 8000 NVR delivers powerful IP recording and an open architecture that allows seamless integration with any open VMS platform. The RoadRecorder 8000 NVR is EN50155 certified for use in a variety of rolling stock/railway applications, and is fully equipped with 8 M12 PoE ports for reliable functionality in rail environments. With dual hard drives offering up to 4 TB of storage, 16 customizable sensor inputs and outputs, and support for up to 36 IP cameras, the RoadRecorder 8000 NVR provides the highest level of security needed.

With Safety Vision's newly developed open platform hardware and software, mobile industries have the freedom to add new technologies as they are developed. This allows you to continually update and improve your security system, creating more possibilities and ensuring that your investment is future-proof. Through the use of open architecture and third-party integrations, agencies can now unify mobile surveillance with other security systems such as IP fixed surveillance, access control, and video analytics – offering the ability to manage all operations within a single video management software.

OS SUPPORT

Linux: Ubuntu 16.04 LTS

Windows: Hyper-V (Windows 7, Windows 8.1, Windows 10)

CAMERAS SUPPORTED

Up to 36 via 8 x M12 with IEEE 802.3af PoE ports

AUDIO/VIDEO OUTPUTS

2 (HDMI and DVI-D), 1 x audio for mic-in, line-out by DB9 port

FRAME RATE

30 fps (all channels, all resolutions)

IMAGE QUALITY

512 KB/s - 12 MB/s

STORAGE

2 x SATA II 2 TB HDD/SSD

1 x SDXC card

1 x 256 GB MSATA internal SSD

RECORDING MODES

Continuous / scheduled / alarm

PRE-EVENT RECORDING

Configurable up to 5 minutes

POST-EVENT RECORDING

Configurable up to 10 minutes

ETHERNET

Gigabit Ethernet

Front: 1 x RJ45

Rear: 8 x M12 with IEEE 802.3af PoE,
1 x M12 without PoE support

GPS (BUILT-IN)

Location tracking, speed detection, and sync time

ACCELEROMETER

3-Axis, 0.1G resolution

INTERFACES

Front: 1 x double-stack USB 2.0,

1 x RJ45 without PoE support

Rear: 1 x HDMI, 1 x DVI-D, 1 x double-stack USB 3.0, 1 x M12 without PoE support

SENSORS

16 inputs, 16 outputs

POWER INPUT

9 ~ 36V DC (18~75V DC +43~160V DC, optional)

OPERATING TEMPERATURE

-22° F ~ 140° F (-30° C ~ 60° C)

DIMENSIONS (W x H x D)

12.12 x 4.86 x 10.5 in (307.4 x 123.4 x 266.7 mm)

CERTIFICATIONS

FCC/CE Class A, E13, RoHS, EN-50155: 2007, EN-50121-3-2: 2006

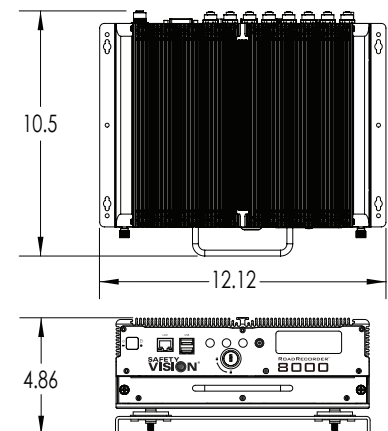
COMPLIANCE

Vibration: MIL-STD-810G, Method 514.6

Shock: MIL-STD-810G, Method 516.6

PART NUMBER

8000-NVR



6100 W. Sam Houston Pkwy. N.
Houston, TX 77041

SAFETY VISION®

800.880.8855
www.safetyvision.com