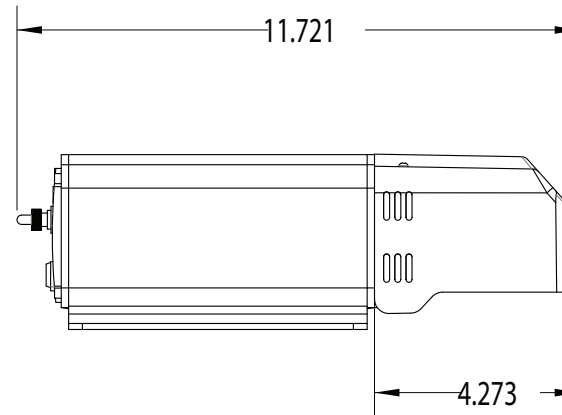
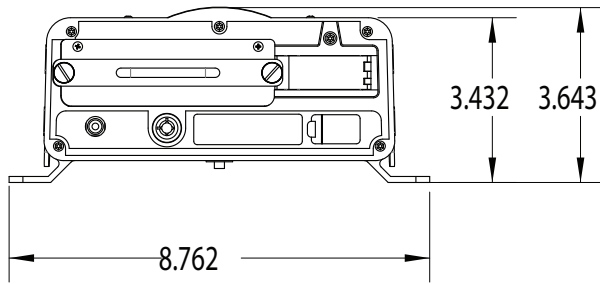


NOTES:

1. DRAWING IS NOT TO SCALE



PROPRIETARY AND CONFIDENTIAL
 THE INFORMATION CONTAINED IN THIS DRAWING
 IS THE SOLE PROPERTY OF SAFETY VISION. ANY
 REPRODUCTION IN PART OR AS A WHOLE WITHOUT
 THE WRITTEN PERMISSION OF SAFETY VISION IS
 PROHIBITED.

UNLESS OTHERWISE SPECIFIED:

DIMENSIONS ARE IN INCHES

TOLERANCES:
 FRACTIONAL ±
 ANGULAR: MACH ± BEND ±
 TWO PLACE DECIMAL ±
 THREE PLACE DECIMAL ±

INTERPRET GEOMETRIC
 TOLERANCING PER:

MATERIAL

FINISH

DO NOT SCALE DRAWING

	NAME	DATE
DRAWN	JG	7/9/15
CHECKED		
ENG APPR.		
MFG APPR.		
Q.A.		



TITLE:

OBSERVER 4112

HYBRID DVR

SIZE	PART NO.	REV
A	SVR-4112	A

SCALE: NTS WEIGHT: SHEET 1 OF 1