

OBSERVER™ 4112

HYBRID VIDEO RECORDER (HVR)



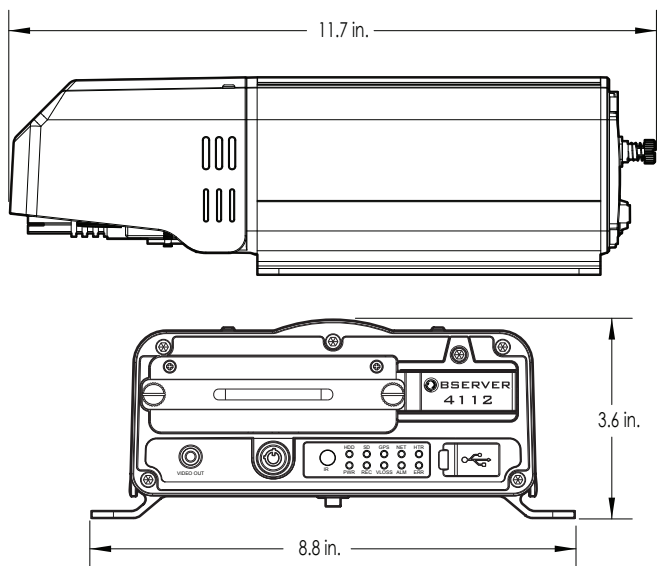
The Observer™ 4112 Hybrid Video Recorder (HVR) combines 8 traditional analog camera inputs with an additional 4 IP camera inputs, allowing you to incorporate the latest technology and sharpest images. This innovative combination allows the Observer 4112 HVR to replace legacy DVR systems as well as implement the latest technology (IP cameras) when you're ready to upgrade your fleet. Hybrid recording technology paired with a compact, rugged enclosure allows the Observer 4112 HVR to be installed in a variety of mobile environments and used for a variety of different applications.

Ample and Secure Storage

A single hard disk drive (HDD) or solid state drive (SSD) can store up to 2 terabytes (TB) and 1 TB of data, respectively, in a secure format while a removable SD card provides a mirror/alarm recording feature to ensure valuable video isn't lost. Proprietary data-filing systems and robust antivibration technology ensure reliable recordings in any environment.

Observer Management System PRO (OMS PRO)

The Observer series of recorders are complimented by the feature-rich OMS PRO backend management software. OMS PRO renders extensive customizable reports on all aspects of your fleet, while historical GPS mapping and Live Look-in remote viewing features let you keep an eye on driver activity, past and present.



Please discuss our installation, training, extended warranty, spare-in-the-air, and onsite service options with your mobile video solutions specialist!

ACCESSORIES

CP4 Touch Screen or Conventional display monitor
Event button (requires Alarm Sensor Input Box)
Accelerometer (requires I/O Hub)
Panic button w/ LED status indicator (requires I/O Hub)
Wi-Fi Radio
PoE switch
Uninterruptible Power Supply (UPS)
Fireproof backup data storage box
Lockbox

OBSERVER™ 4112 HYBRID VIDEO RECORDER (HVR)

SPECIFICATIONS	
Part No. 4112-HYB	
Operating System	Embedded Real Time Linux
Video Standard	NTSC / PAL (selectable)
Audio/Video Inputs	Audio: 12 channels (SV threaded connector) Video: 8 channels + 4 IP channels (SV threaded connector)
Audio/Video Outputs	2 channels (BNC connector)
Audio/Video Compression	ADPCM / H.264
Resolution	NTSC: D1, HD1, WD1, CIF PAL: D1, HD1, CIF IP Camera: 1080p
Frame Rate	30 FPS (all channels, all resolutions)
Image Quality (bit rate)	1-8 adjustable levels (1 is the best)
Storage	1 × 2.5" SATA II HDD (2 TB max) or 1 × 2.5" SATA II SSD (1 TB max)
Mirror Storage	1 × Class 10 SD card (256 GB max)
Recording Mode	Continuous (dual stream) / Schedule / Alarm (sensor trigger, speed, acceleration, video loss, temperature), Pre/Post Recording
Pre-event Recording	Configurable up to 60 minutes
Post-event Recording	Configurable up to 30 minutes
Mirror Recording	Yes
Ethernet	1 × RJ45 (LAN)
Wi-Fi (Antenna Required)	Embedded module (802.11b/g/n)
GPS (Antenna Included)	Embedded module (location tracking, speed detection, and sync time)
Interfaces	2 × RS232, 2 × RS485, 2 × USB 2.0
Accelerometer	3-Axis
Sensors	8 inputs, 2 outputs
Power Input	6 ~ 36V DC
Power Output	1A at 12V, 1A at 5V
Environmental Control	Integrated HD heater
Operating Temperature	-40° F ~ 158° F (-40° C ~ 70° C) with HD heater
Storage Temperature	-40° F ~ 185° F (-40° C ~ 85° C)
Relative Humidity	8% ~ 90%
Dimensions (w × h × d)	8.8 in × 3.6 in × 11.7 in (223.5 mm × 91.4 mm × 297.2 mm)
Weight	5.2 lbs (2.4 kg)
Certifications	FCC, CE, ISO7637, MIL-STD-810, RoHS, EN50155, EN50155-EMC, EN60068
Configuration	IR remote (included), network; control panel, CP4 series monitor (optional)
With CP4 Monitor	
On Screen Display	GPS information, alarm, temperature, acceleration, voltage, device information, firmware version, MCU version, network status
Display Split	1/4/9/16 (cameo with 4/9/16)
Playback	1/4/9 chan. with CP4 Touch-screen; 1/4/9/16 with CP4 Conventional Display
Search Mode	Date/time, channel, event
Backup Mode	USB, HDD, network