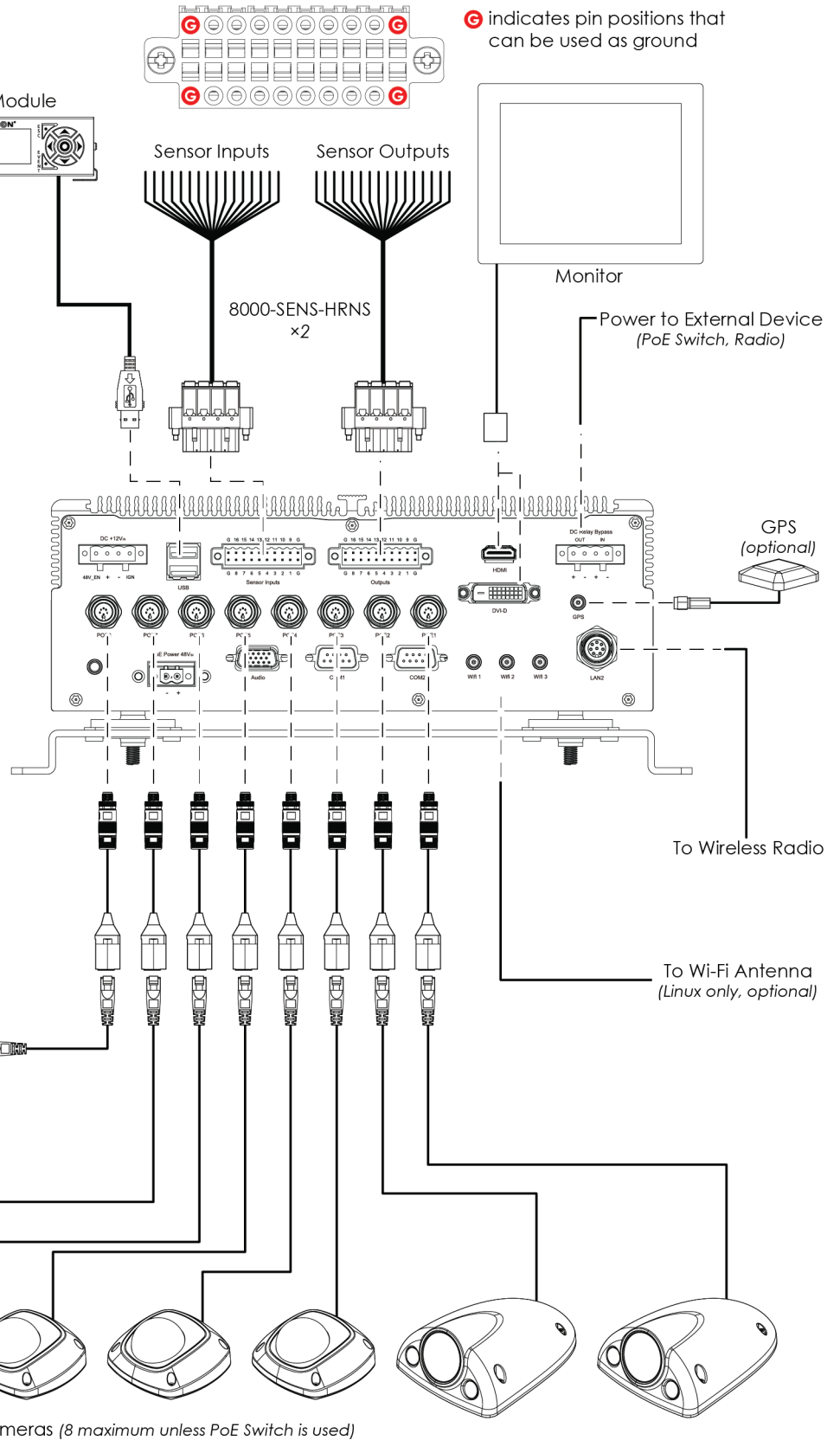


ROADRECORDER® 8000 NVR USER GUIDE

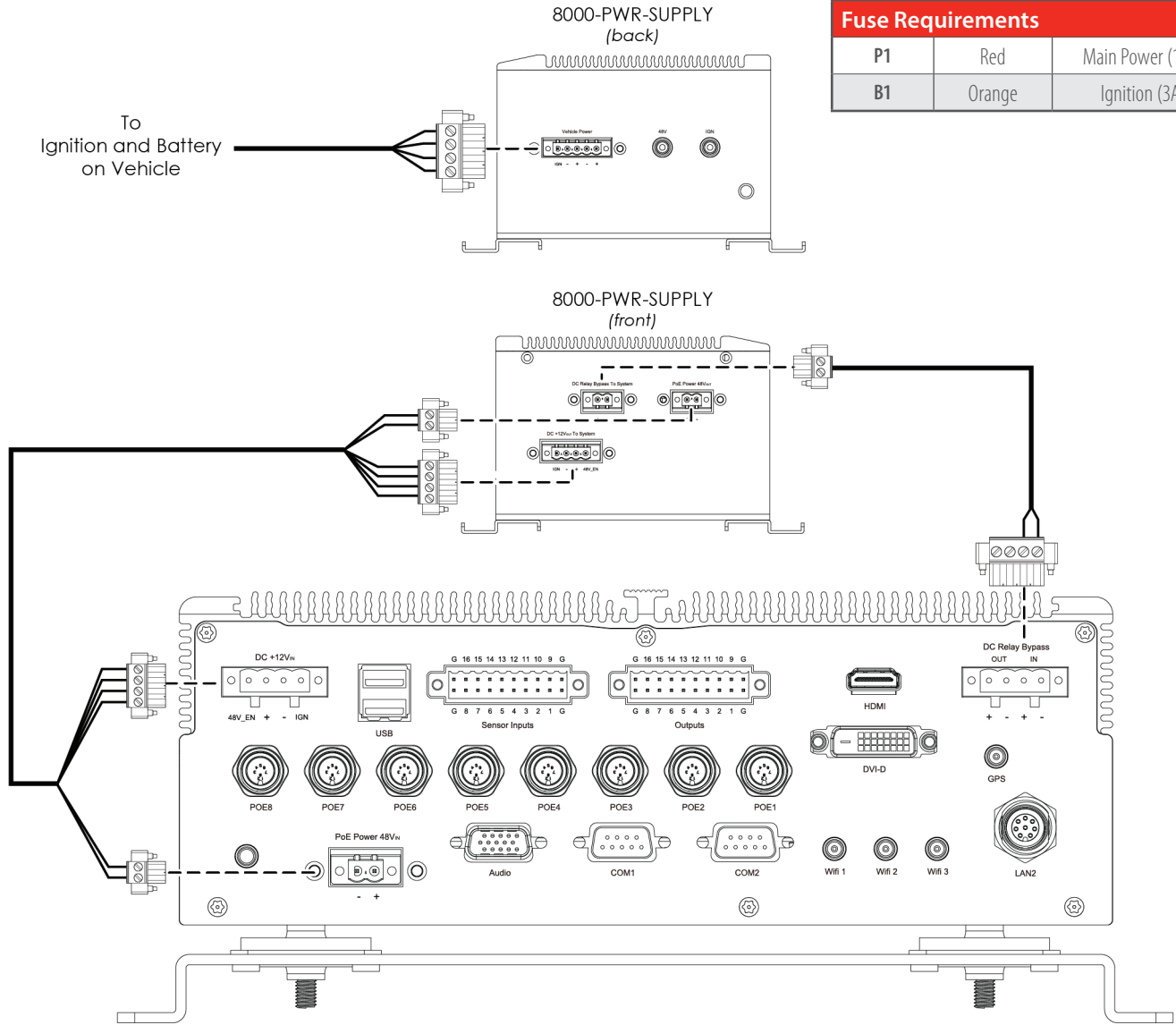
Typical Configuration		
Sensor Wire	Color	Description
A1	Blue	Brake
A2	Yellow	Right Turn
A3	Green	Left Turn
A4	Violet	Head Lights
A5	Brown	Front Door
A6	White	Wheel Chair
A7	Grey	Stop Request
B1	Orange	Ignition
B2	Red	Open
B3		Open
B4		Open
B5		Open
B6		Open
B7		Open
Fuse Requirements		
P1	Red	Main Power (7.5 amp)
B1	Orange	Ignition (3 amp)



6100 W. Sam Houston Pkwy. N.
Houston, TX 77041



800.880.8855
www.safetyvision.com



Fuse Requirements		
P1	Red	Main Power (10A)
B1	Orange	Ignition (3A)

WARNING: REMOVING MAIN THE MAIN POWER SOURCE WHILE THE NVR IS RECORDING MAY RESULT IN CORRUPT DATA.

Be aware that removing and reconnecting power to the NVR in short periods of time (such as during some vehicle maintenance procedures) may cause hard drive failure, leading to corrupt recorded video and other data. Safety Vision recommends properly shutting down the NVR before removing the main power harness when cycling of the vehicle’s power is to occur:

1. Remove the ignition source.
2. Wait for the NVR to completely power down. The NVR may be configured to record for a period after the ignition is turned off.
3. OBSERVE THAT ALL STATUS LEDS HAVE TURNED OFF.
4. Remove the main power harness.

LITHIUM BATTERY CAUTION: Risk of explosion if battery is replaced by an incorrect type. Dispose of used batteries according to the instructions.