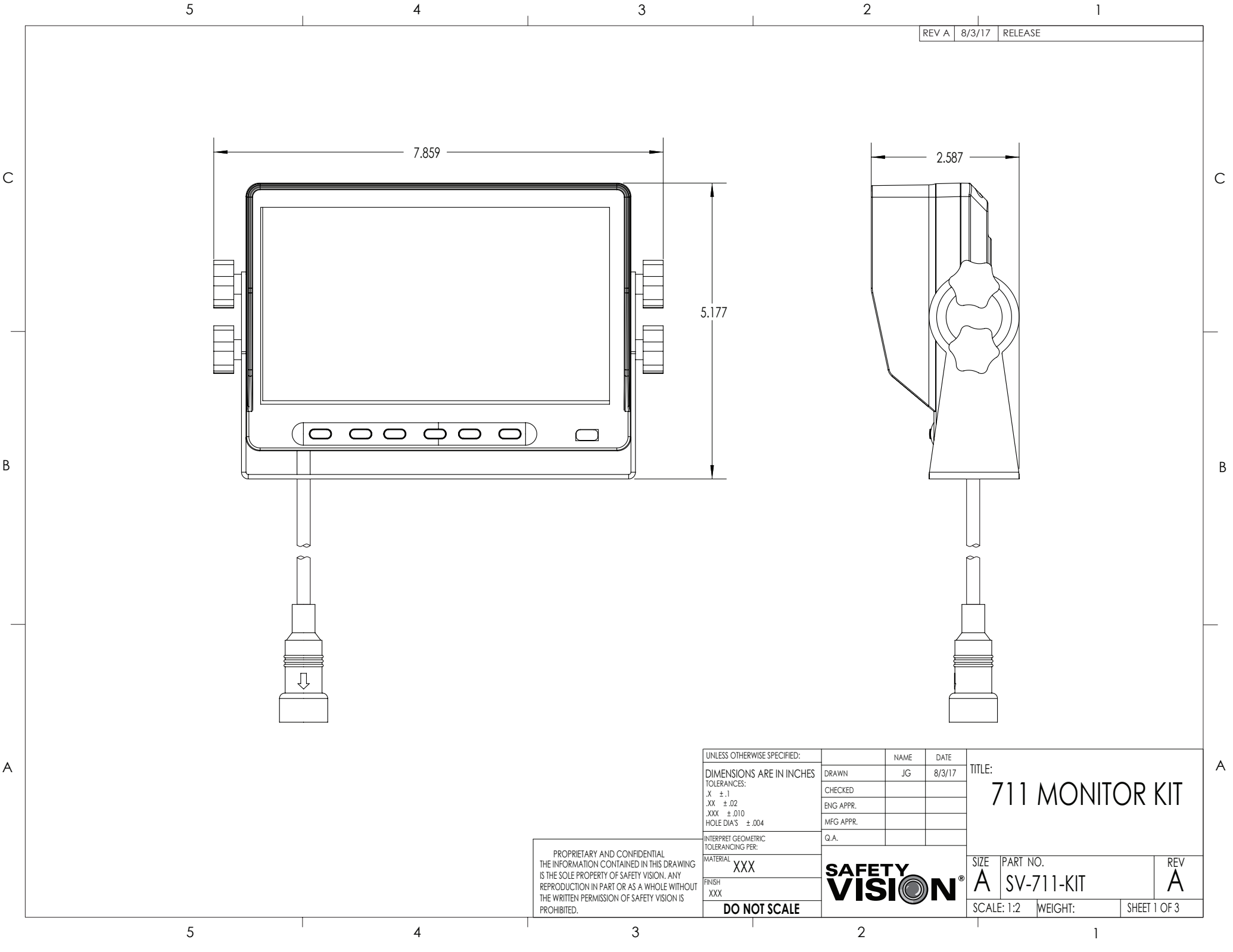
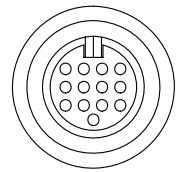
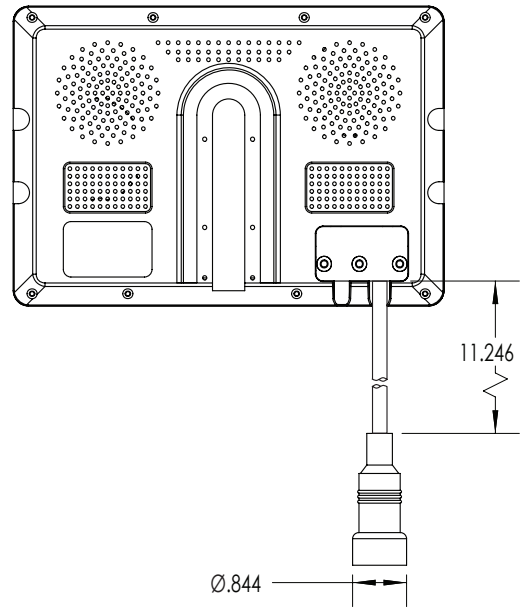
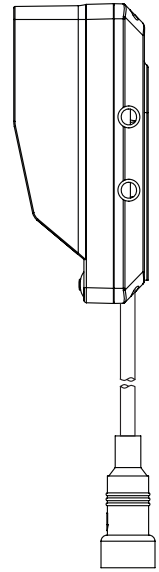
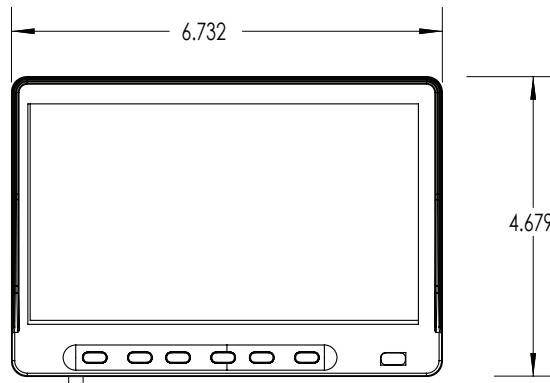
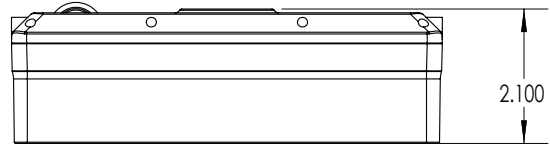


UNLESS OTHERWISE SPECIFIED:		NAME	DATE	TITLE: 711 MONITOR KIT	
DIMENSIONS ARE IN INCHES		DRAWN	JG		8/3/17
TOLERANCES:		CHECKED			
.X ±.1		ENG APPR.			
.XX ±.02		MFG APPR.			
.XXX ±.010		Q.A.			
HOLE DIA'S ±.004		INTERPRET GEOMETRIC TOLERANCING PER:			
MATERIAL		SAFETY VISION®			
FINISH		SIZE	PART NO.	REV	
XXX		A	SV-711-KIT	A	
DO NOT SCALE		SCALE: 1:2	WEIGHT:	SHEET 1 OF 3	

PROPRIETARY AND CONFIDENTIAL
 THE INFORMATION CONTAINED IN THIS DRAWING
 IS THE SOLE PROPERTY OF SAFETY VISION. ANY
 REPRODUCTION IN PART OR AS A WHOLE WITHOUT
 THE WRITTEN PERMISSION OF SAFETY VISION IS
 PROHIBITED.





SECTION A-A
WIRE FACING
13 PIN DIN CONNECTOR - FEMALE

PROPRIETARY AND CONFIDENTIAL
THE INFORMATION CONTAINED IN THIS DRAWING
IS THE SOLE PROPERTY OF SAFETY VISION. ANY
REPRODUCTION IN PART OR AS A WHOLE WITHOUT
THE WRITTEN PERMISSION OF SAFETY VISION IS
PROHIBITED.

UNLESS OTHERWISE SPECIFIED:	NAME	DATE	TITLE:	
DIMENSIONS ARE IN INCHES	JG	8/3/17	711 MONITOR KIT	
TOLERANCES:	CHECKED		SIZE	PART NO.
.X ±.1	ENG APPR.		A	SV-711-KIT
.XX ±.02	MFG APPR.		SCALE: 1:3	WEIGHT:
.XXX ±.010	Q.A.			SHEET 2 OF 3
HOLE DIA'S ±.004				
INTERPRET GEOMETRIC TOLERANCING PER:			REV	
MATERIAL XXX			A	A
FINISH XXX				
DO NOT SCALE				

5

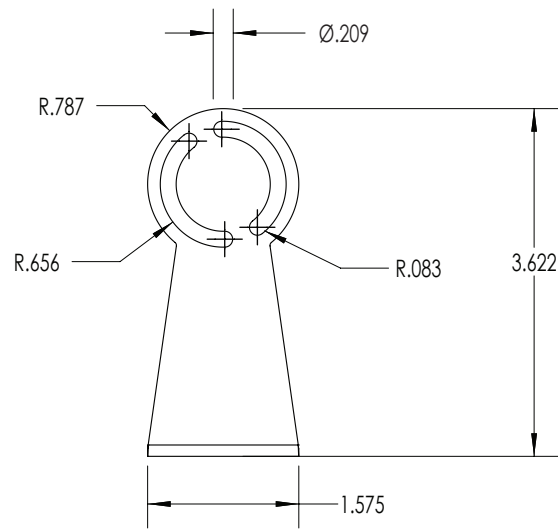
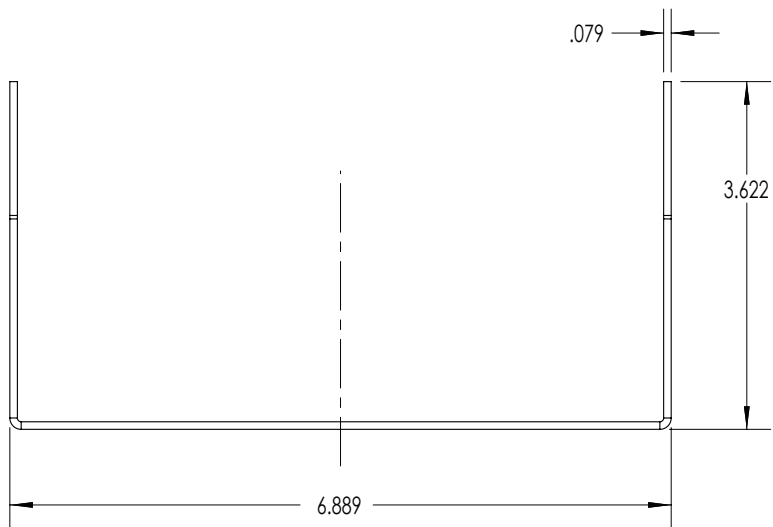
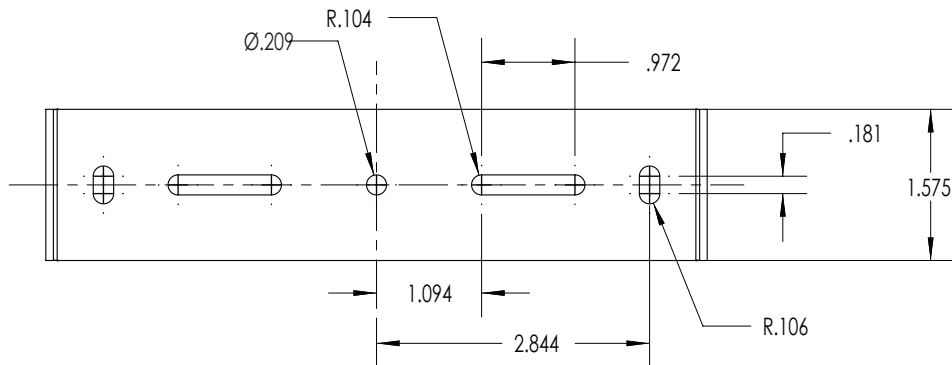
4

3

2

1

REV A 8/3/17 RELEASE



UNLESS OTHERWISE SPECIFIED:		NAME	DATE	TITLE: 711 MONITOR KIT
DIMENSIONS ARE IN INCHES		JG	8/3/17	
TOLERANCES:				
.X $\pm .1$				
.XX $\pm .02$				SIZE A
.XXX $\pm .010$				
HOLE DIA'S $\pm .004$				PART NO. SV-711-KIT
INTERPRET GEOMETRIC TOLERANCING PER:				
MATERIAL XXX		SAFETY VISION [®]		REV A
FINISH XXX				
DO NOT SCALE		SCALE: 1:2	WEIGHT:	SHEET 3 OF 3

PROPRIETARY AND CONFIDENTIAL
 THE INFORMATION CONTAINED IN THIS DRAWING
 IS THE SOLE PROPERTY OF SAFETY VISION. ANY
 REPRODUCTION IN PART OR AS A WHOLE WITHOUT
 THE WRITTEN PERMISSION OF SAFETY VISION IS
 PROHIBITED.

5

4

3

2

1

C

C

B

B

A

A