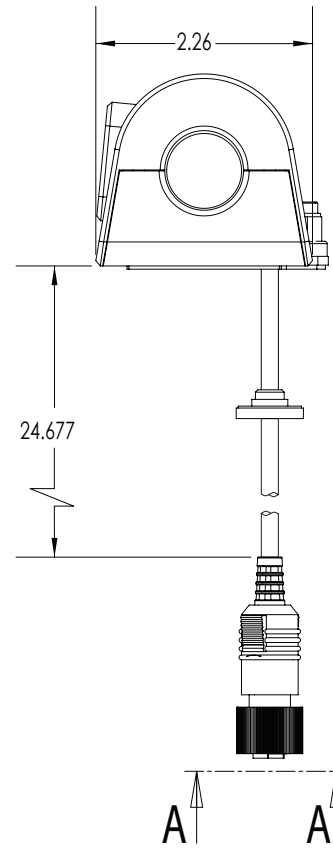


SECTION A-A
PIN FACING
THREADED MINI-DIN - MALE



PROPRIETARY AND CONFIDENTIAL
THE INFORMATION CONTAINED IN THIS DRAWING
IS THE SOLE PROPERTY OF SAFETY VISION. ANY
REPRODUCTION IN PART OR AS A WHOLE WITHOUT
THE WRITTEN PERMISSION OF SAFETY VISION IS
PROHIBITED.

UNLESS OTHERWISE SPECIFIED:
DIMENSIONS ARE IN INCHES
TOLERANCES:
X ±.1 HOLE DIA'S ±.004
XX ±.02 ANGULAR ±1°
XXX ±.010

INTERPRET GEOMETRIC
TOLERANCING PER:
MATERIAL XXX
FINISH XXX
DO NOT SCALE

NAME	DATE
JG	9/24/18
CHECKED	
ENG APPR.	
MFG APPR.	
Q.A.	



TITLE: EXTERIOR AHD CAMERA		
SIZE A	PART NO. SV-EXTx-xxx0x	REV A
SCALE: 1:4	WEIGHT:	SHEET 1 OF 1